

TekSpan® Saddle Bracket

Product Code: R954-110

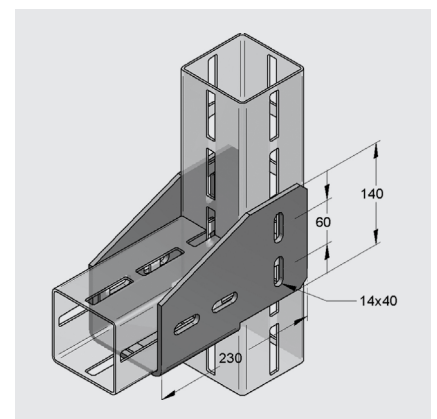
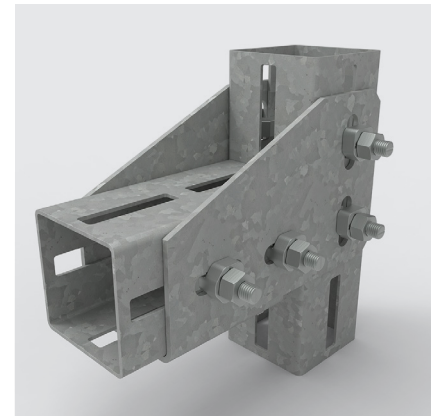
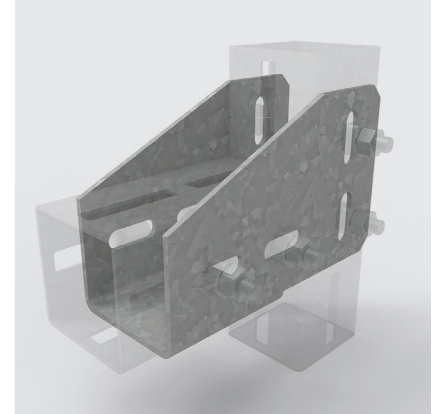
Description

TekSpan® Saddle Bracket for 100mm profiles.

Bracket for extra strength in supporting weight-loaded cross member beams.

Technical Details

Pack Qty	1
Weight	3.57kg/pc
Material	Steel S235
Finish	HDG
Profile type	100mm
Length wing 1	230mm
Length wing 2	140mm
Width	112mm
Material thickness	6mm
Slot size	14x40mm
Load Fx	40kN
Load Fz	40kN
Limited torque	1.2kNm
Angle	90°



Certifications

