

TekSpan® 3-Hole Angle Bracket Cross Mount

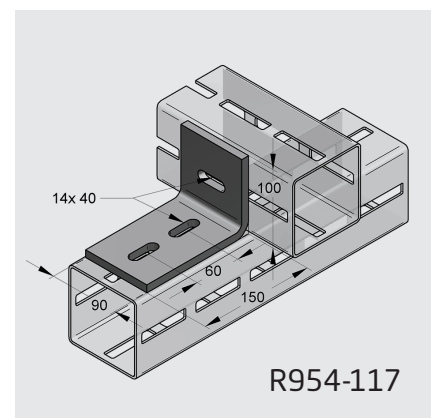
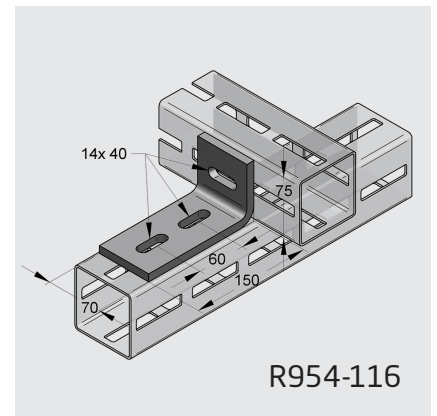
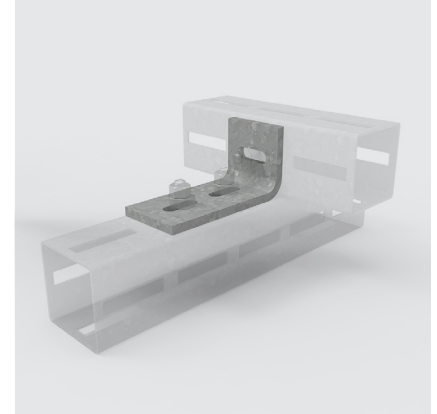
Product Code: R954-116 / R954-117

Description

TekSpan® 90° 3 Hole Angle Cross-Bracket for 80mm and 100mm profiles.
Cross-mount bracket, allowing for longitudinal adjustment when installing.

Technical Details

Product Code	R954-116	R954-117
Pack Qty	1	1
Weight	1.13kg/pc	1.68kg/pc
Material	Steel S235	Steel S235
Finish	HDG	HDG
Profile type	80mm	100mm
Length wing 1	150mm	150mm
Length wing 2	75mm	100mm
Width	70mm	90mm
Material thickness	9mm	10mm
Slot size	14x40mm	14x40mm
Load Fx	5.2kN	6.0kN
Load Fz	16.0kN	20.0kN
Limited torque	0.4kNm	0.5kNm
Angle	90°	90°



Certifications

