

# TekSpan<sup>®</sup>

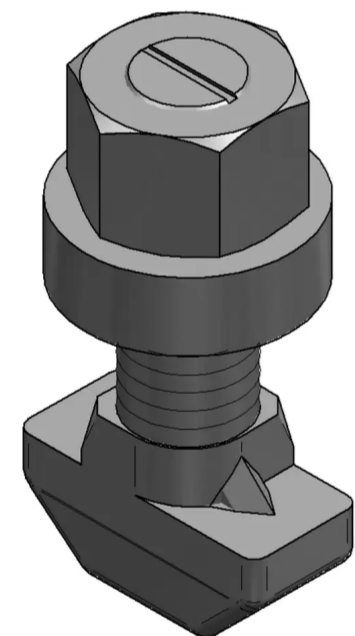
**Industrial**  
Modular Steel  
Frame System



TekSpan enables contractors and installers to build a frame on site that provides similar strength qualities to welded steel frames, but can be easily transported to site and erected quickly in situ. Based on a hot dipped galvanised box frame and using a unique T-bolt fastening system, TekSpan has been installed on many projects throughout Europe and is now available to the UK market.

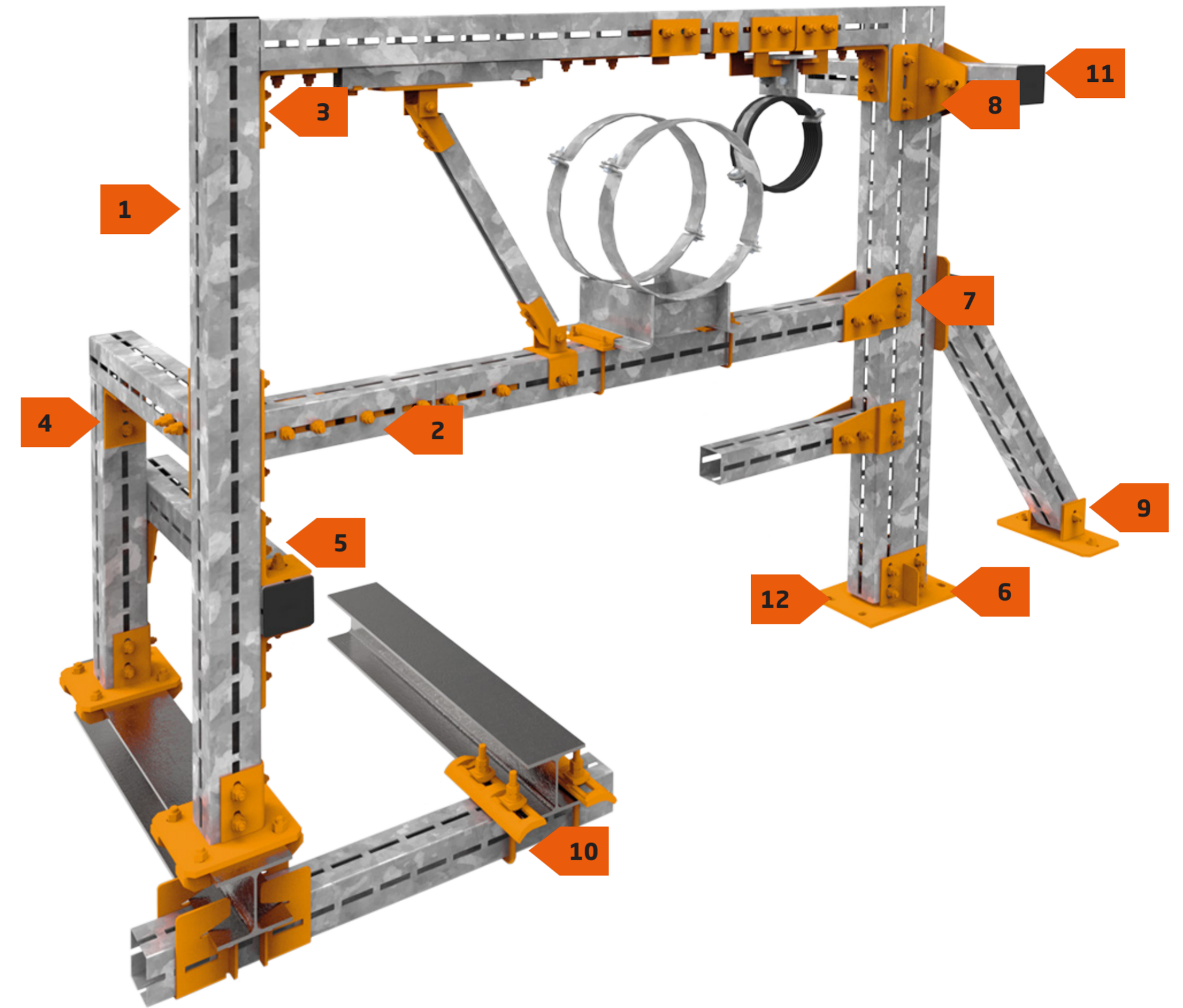
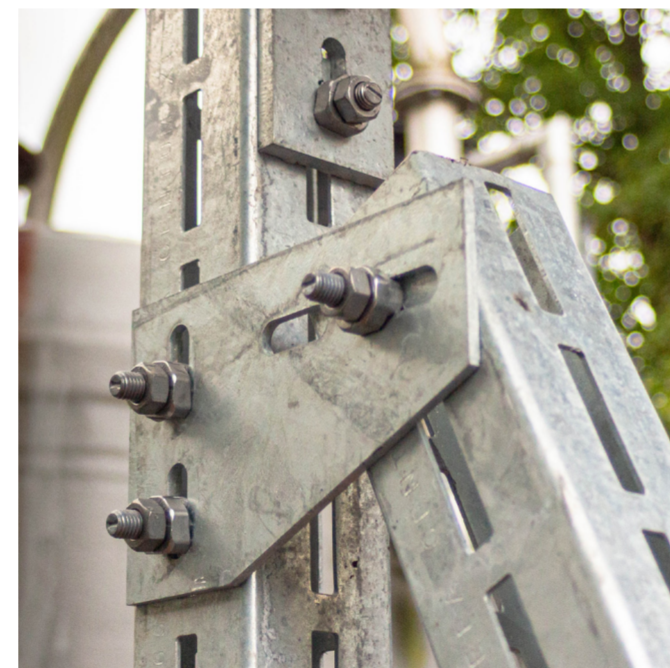
TekSpan gives you the loading properties of welded steel frames without the associated site-welding issues, and is ideal for installing in challenging environments, such as basement boiler rooms and risers where a crane-lift would present a logistics issue.

Proven throughout the world even in demanding NZ seismic conditions, TekSpan's versatility makes it the modular system of choice. Talk to us to discover ways in which TekSpan can make installs easier, quicker and more cost-effective.



At the heart of the TekSpan system is the patented T-lock bolt. This unique M12 bolt is made from 10.9 high grade steel giving up to 10kN shear strength, and can be simply installed using a torque wrench

One of the unique features of the TekSpan system is the stepless slot design, which the T-lock bolt facilitates. In practice this means that leveling up frames and structures is done simply and quickly, in contrast to screw systems that require precise alignment of holes.



- Avoid bulky and awkward logistics on frame installs
- Build support frames faster and more efficiently
- Erect a complete frame using just a torque wrench
- Avoid hot-works permit requirements on site
- Fast and easy to level up
- Superior strength properties to channel and other frame brands
- Full design capability
- Available in 80mm or 100mm variants
- Patented T-bolt fastening system

AVAILABLE IN  
**80MM**  
**100MM**  
PROFILES





**Component Details**

**TekSpan® Pre-slotted lengths**

**1**

Pre-slotted lengths of TekSpan frame system	Dimensions	Code
TekSpan® HDG 80mm beam	80mm x 80mm x 6m	R950-806
TekSpan® HDG 100mm beam	100mm x 100mm x 6m	R950-807

**TekSpan® Pair of T-Plate Brackets**

**8**

Pair of T-plate brackets, for face-fixing of a 90deg vertical joint	Dimensions	Code
TekSpan® T-plate for 80mm frame	70mm x 205mm x 130mm	R954-120
TekSpan® T-plate for 100mm frame	90mm x 240mm x 200mm	R954-121

**Two-piece jointing set for all TekSpan® frame sizes**

**2**

Connection Set	Dimensions	Code
TekSpan® connector set	59mm x 67mm x 380mm	R954-150

**TekSpan® Holder Plate for Mounting Frames**

**9**

Holder plate for mounting frames, with the facility to support angled connections	Dimensions	Code
TekSpan® holder plate for 100mm frame	160mm x 320mm x 110mm	R953-116

**TekSpan® 90° Angle Bracket - 2 Hole**

**3**

Two hole 90deg angle bracket, for mounting frames at right angles	Dimensions	Code
TekSpan® 2 hole angle bracket for 80mm and 100mm frames	70mm x 100mm x 100mm	R954-112

**TekSpan® Beam Connector Clamp**

**10**

Beam connector clamp, for securing frames to I-beams and girders	Dimensions	Code
TekSpan® beam clamp for 80mm frames	160mm x 160mm x 100mm	R952-070
TekSpan® beam clamp for 100mm frames	180mm x 200mm x 100mm	R952-075

**TekSpan® 90° Angle Bracket - 3 Hole**

**4**

Three hole 90deg angle bracket, for mounting frames at right angle with extra load bearing	Dimensions	Code
TekSpan® 3 hole angle bracket for 80mm frame	70mm x 100mm x 150mm	R954-114
TekSpan® 3 hole angle bracket for 100mm frame	90mm x 100mm x 150mm	R954-115

**TekSpan® End Caps**

**11**

End caps for finishing / capping off frame terminations	Dimensions	Code
TekSpan® black end cap for 80mm frame	80mm x 80mm	R952-040
TekSpan® black end cap for 100mm frame	80mm x 80mm	R952-050

**TekSpan® 90° Angle Bracket - 3 Hole Cross Mount**

**5**

Three hole 90deg cross-mount bracket, allowing for longitudinal adjustment when installing	Dimensions	Code
TekSpan® 3 hole angle cross-bracket for 80mm frame	70mm x 150mm x 75mm	R954-116
TekSpan® 3 hole angle cross-bracket for 100mm frame	90mm x 150mm x 100mm	R954-117

**TekSpan® Stepdown M16-M12 Ring Inset**

**12**

Stepdown M16 - M12 ring inset for baseplate feet, to enable M12 fixings to be used	Dimensions	Code
TekSpan® anchor	34.5mm x 17.5mm	R954-155

**TekSpan® Bolt-down Base Plate Foot**

**6**

Bolt-down base plate foot, for floor or wall mounting	Dimensions	Code
TekSpan® base plate for 80mm frame	200mm x 200mm x 140mm	R954-125
TekSpan® base plate for 100mm frame	220mm x 220mm x 140mm	R954-135

**TekSpan® Integral Base Plate Foot and Frame Section**

Integral baseplate foot and frame section, for lower height installs and wall-mounting	Dimensions	Code
TekSpan® integral foot and 80mm frame	720mm x 80mm (200mm x 200mm baseplate)	R954-105
TekSpan® integral foot and 80mm frame	1440mm x 80mm (200mm x 200mm baseplate)	R954-106
TekSpan® integral foot and 100mm frame	720mm x 100mm x 100mm (220mm x 200mm baseplate)	R954-107

**TekSpan® Saddle Brackets**

**7**

Saddle bracket, for extra strength in joining frames at 90 degrees	Dimensions	Code
Saddle bracket, for extra strength in supporting weightloaded crossmember beams	230mm x 140mm x 100mm	R954-110

**Component Details**

**TekSpan® Pair of Corner Plate Brackets**

Pair of corner plate brackets, for facefixing of a 90deg horizontal joint	Dimensions	Code
TekSpan® corner plate for 80mm frame	70mm x 205mm x 130mm	R954-118
TekSpan® corner plate for 100mm frame	85mm x 230mm x 140mm	R954-119

**TekSpan® Roller Bearing Axial Pipe Slide**

Absorption of axial length expansion for standing, hanging, horizontal or vertical passed pipes	Dimensions	Code
TekSpan® Roller Bearing Axial Pipe Slide M12	190mm x 120mm	R954-156
TekSpan® Roller Bearing Axial Pipe Slide M16	190mm x 120mm	R954-157

**TekSpan® FixBOB**

Useful reusable tool for aiding slot alignment during installation	Dimensions	Code
TekSpan FixBOB	M12 x 44mm	R951-500

**TekSpan® Thread Connector**

For mounting on TekSpan mounting profile to make threaded connections	Dimensions	Code
TekSpan® thread connector M16 80mm	76mm x 82mm x 64mm	R952-066
TekSpan® thread connector M16 100mm	70mm x 110mm x 74mm	R952-067

**TekSpan® 10.9g T-Bolt**

10.9g T-bolt with locking washer - locks securely through frame slots with locating collar and "bites" into bracket fixture, providing exceptional joint strength	Dimensions	Code
TekSpan® T-Lock Bolt	M12 x 40mm	R951-510

**TekSpan® Frame to Threaded Rod Connector**

Frame to threaded rod connector, for direct fixing of rods and suspension of threaded fasteners	Dimensions	Code
TekSpan® thread connector M10	M10	R952-060
TekSpan® thread connector M12	M12	R952-065

**TekSpan® XL80 Rooftop Holder**

Square foot plastic channel strut support	Dimensions	Code
XL80 Rooftop Holder	400mm x 400mm	R605-387

**TekSpan® Fixpoint bracket HV1**

Height-adjustable bracket for fixing piping without sound insulation	Dimensions	Code
TekSpan® Fixpoint bracket HV1	160mm x 100mm	R954-175

**TekSpan® Roller Bearing Duo Axial Pipe Slide 2x**

Absorption of axial length expansion for standing, hanging, horizontal or vertical passed pipes	Dimensions	Code
TekSpan® Roller Bearing Duo Axial Pipe Slide 2 x M12	380mm x 120mm	R954-158
TekSpan® Roller Bearing Duo Axial Pipe Slide 2 x M16	380mm x 120mm	R954-159

SCAN THE CODE



FIND OUT MORE



## The modular steel frame system for

Data Centres

AD Plants

Plant Rooms

Pipework Support Frames

Waste Transfer Stations

Heavy Duty Roof Frames

Risers

Plant Skids

Modules



## Benefits of TekSpan

-  Similar loading properties to welded steel frames
-  No on-site welding needed
-  No need for heavy lifting equipment
-  Super simple levelling
-  Carried by hand
-  Well suited for installation in challenging environments
-  33% cheaper than traditional steel frames
-  Fits in the back of a van to simplify logistics
-  Assembled with only an impact driver or torque wrench
-  Water Industry Mechanical and Electrical Specifications (WIMES) Compliant

## TekSpan Support

TekSpan products come with extensive support from expert project advice to technical design services.



**Bespoke Frames**



**Project Calculations**



**Full component package from design to delivery**



**Project Team CPD Training**



# TekSpan<sup>®</sup>

**Industrial**  
Modular Steel  
Frame System

01329 222345  
tekspan.co.uk  
enquiries@tekspan.co.uk

**BISON**  
TekSpan<sup>®</sup> is a Bison Brand

SCAN THE CODE



FIND OUT MORE